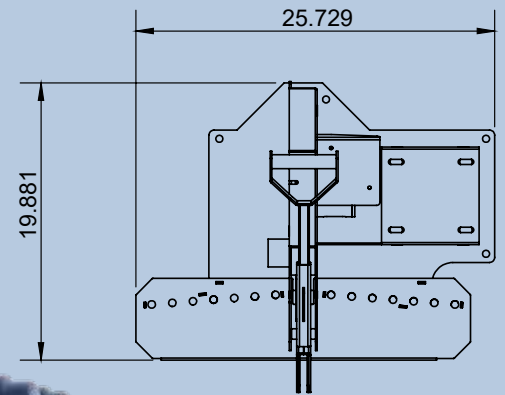


HYDM140

CLEAN-CUTS™

HYDRAULIC HOSE SAW

2" ID x 6 Wire Hydraulic Hose
4.5" OD x Industrial



MODEL	MOTOR	PLUG
HYDM140 220V	5 HP, 220 VAC (1 Phase), 60 Cycle, 21 Amp, 3,490 RPM	L6-30P
HYDM140 220V-3	3 HP, 220 VAC (3 Phase), 60 Cycle, 11* Amp, 3,490 RPM	L15-20P
HYDM140 440V-3	3 HP, 440 VAC (3 Phase), 60 Cycle, 4 Amp, 3,490 RPM	L16-20P



INCLUDES (1) BLADE
14" OD x .160 THK X 40 mm



CLEAN-CUTS™
ADVANCED HOSE
CUTTING SOLUTIONS

ORDER NOW: 800-225-0772

INFO@SPECIALTYSAW.COM



**SPECIALTY
SAW INC.**

www.SpecialtySaw.com

30 WOLCOTT ROAD
SIMSBURY CT, 06070

ISO 9001:2015 CERTIFIED

V041124