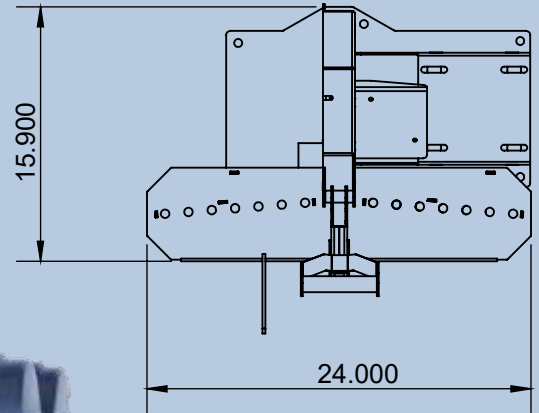
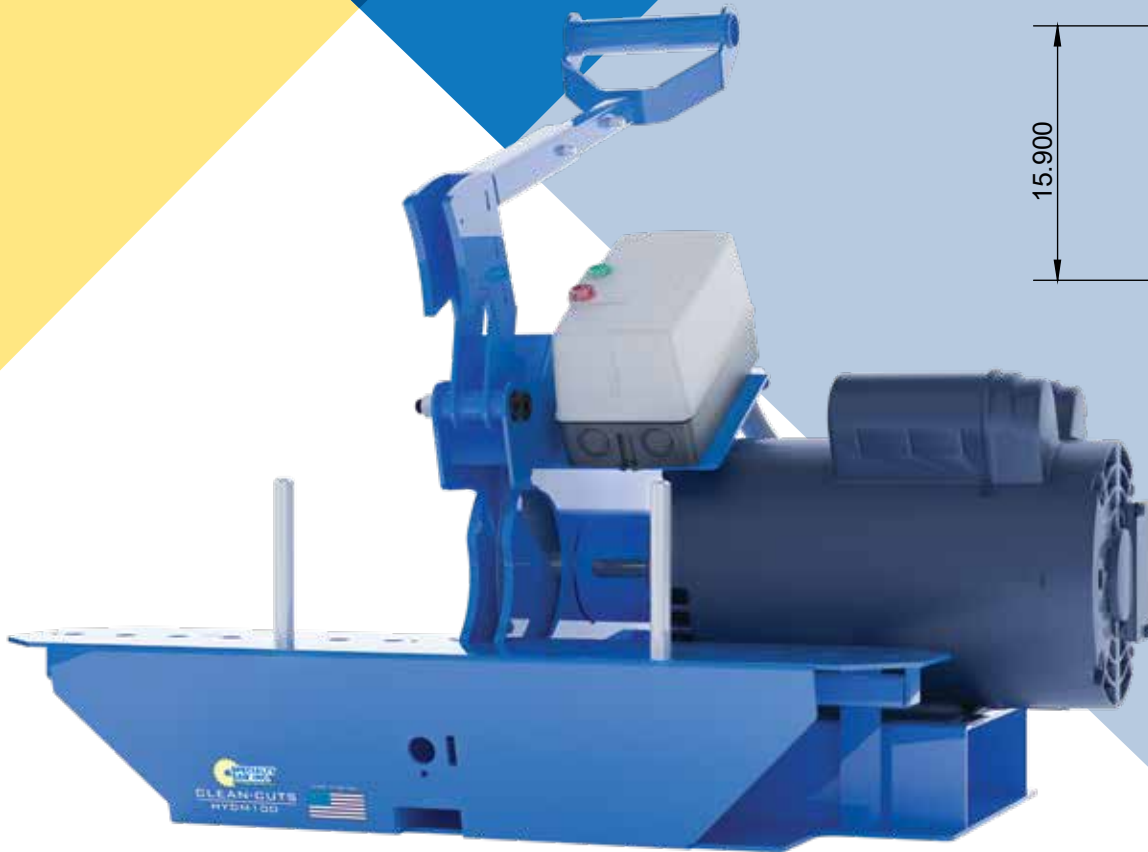


# HYDM100

**CLEAN-CUTS™**

**HYDRAULIC HOSE SAW**

2" ID x 6 Wire Hydraulic Hose



MODEL	MOTOR	PLUG
HYDM100 220V	5 HP, 220 VAC (1 Phase), 60 Cycle, 21 Amp, 3,490 RPM	L6-30P
HYDM100 220V-3	3 HP, 220 VAC (3 Phase), 60 Cycle, 11* Amp, 3,490 RPM	L15-20P
HYDM100 440V-3	3 HP, 440 VAC (3 Phase), 60 Cycle, 4 Amp, 3,490 RPM	L16-20P



**INCLUDES (1) BLADE**  
10" OD x .125 THK X 40 mm



**CLEAN-CUTS™**  
ADVANCED HOSE  
CUTTING SOLUTIONS

**ORDER NOW: 800-225-0772**

**INFO@SPECIALTYSAW.COM**



30 WOLCOTT ROAD  
SIMSBURY CT, 06070  
ISO 9001:2015 CERTIFIED

V041124